

02: OUTDOOR



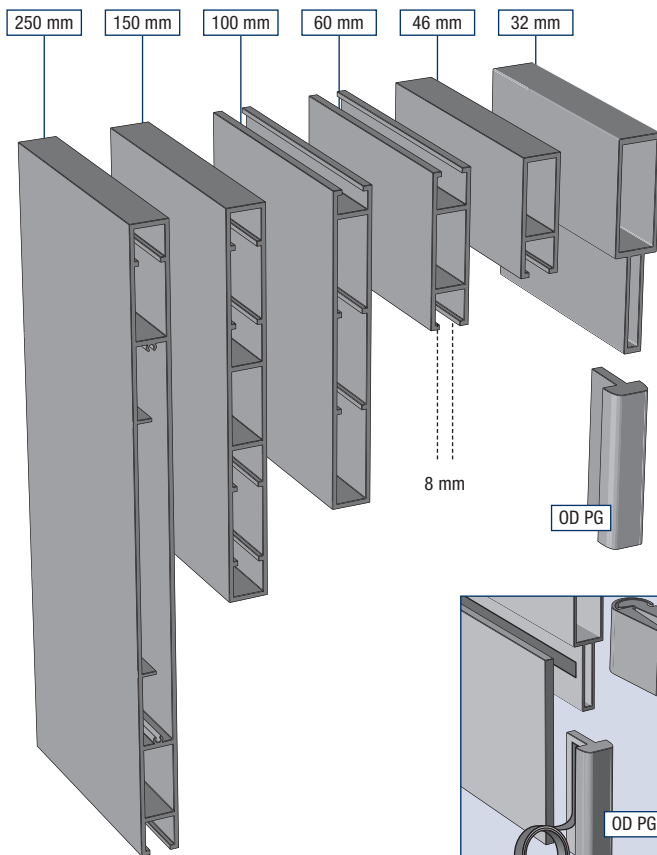
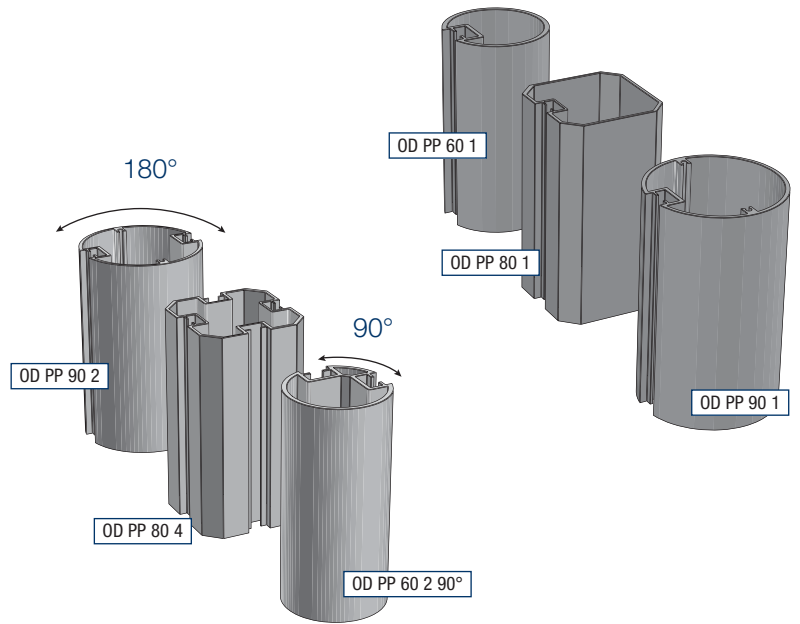


OVERVIEW PROFILES

POST PROFILES

CODE	TYPE	SIZE
OD PP 60 1	One-track	Ø 60 mm
OD PP 80 1	One-track	80 x 80 mm square
OD PP 90 1	One-track	Ø 90 mm
OD PP 60 2	Two-track	Ø 60 mm 90°
OD PP 80 4	Four-track	80 x 80 mm
OD PP 90 2	Two-track	Ø 90 mm 180°

The length of the uprights is 6.02 m.



LATERAL PROFILES

CODE	TYPE	SIZE
OD PG	Panel grip	-
OF FP 032	Face panel	32 mm
OF FP 046	Face panel	46 mm
OF FP 060	Face panel	60 mm
OF FP 100	Face panel	100 mm
OF FP 150	Face panel	150 mm
OF FP 250	Face panel	250 mm

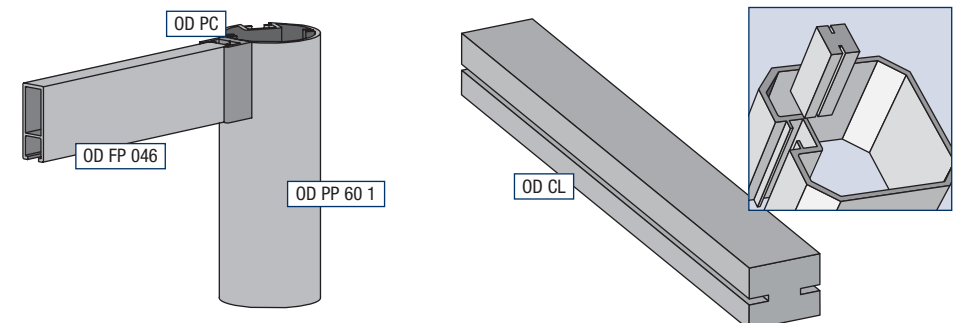
COVER LIST

CODE	TYPE
OD CL	Cover list

POST CONNECTOR

CODE	TYPE
OD PC	Post connector

Fixed on the 60 or 90 mm post, you are able to determine the mounting angle of the text panels.

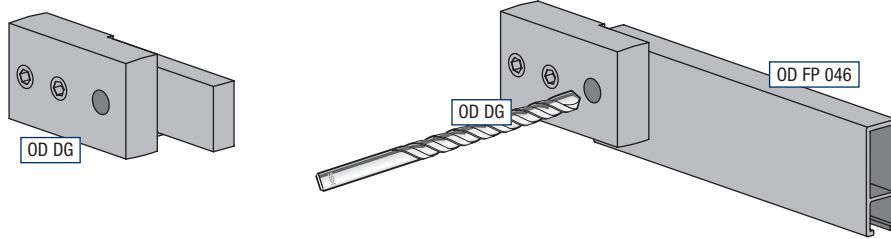


Profiles in mill finish, anodised and RAL.
Plastic accessories in black and grey. White finish, as long as available.

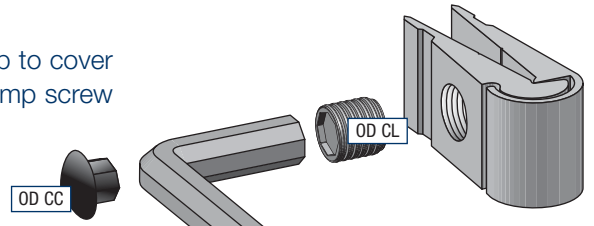
OVERVIEW ACCESSORIES

CODE	TYPE
OD CL	Clamp with inox screw M 10
OD CC	Plastic cap for clamp
OD DG	Drill guide

DRILL GUIDE

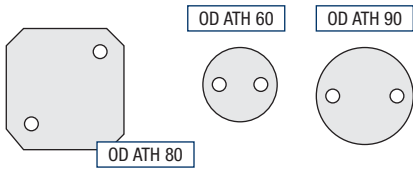


Plastic cap to cover the clamp screw



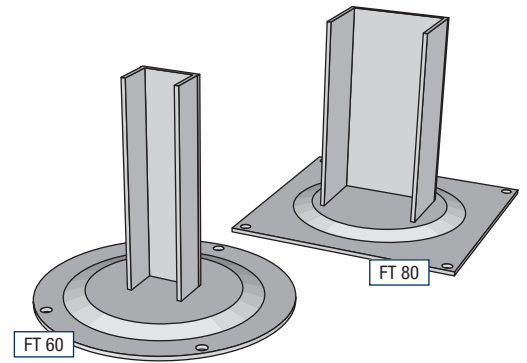
TOP HAT CAPS ALU

CODE	TYPE	SIZE
OD ATH 60	Top hat caps	Ø 60 mm
OD ATH 90	Top hat caps	Ø 90 mm
OD ATH 80	Top hat caps	80 x 80 mm



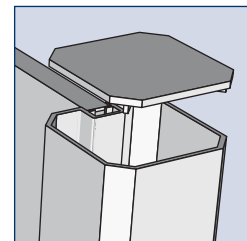
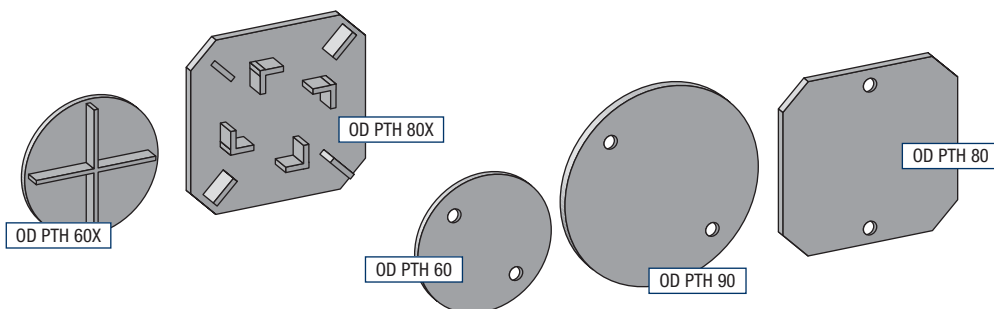
FOOT

CODE	TYPE
FT 60 1-TR	Foot for post 60 1-track
FT 60 2-TR	Foot for post 60 2-track
FT 80	Foot for post 80 1-track



PLASTIC ENDCAPS

CODE	TYPE
OD PTH 60X	Plastic top-hat for post 60 mm - for 1-track only - without screwholes
OD PTH 60	Plastic top-hat for post 60 mm - with screwholes
OD PTH 90	Plastic top-hat for post 90 mm - with screwholes
OD PTH 80X	Plastic top-hat for post 80 mm - for 1-track only - without screwholes
OD PTH 80	Plastic top-hat for post 80 mm - with screwholes

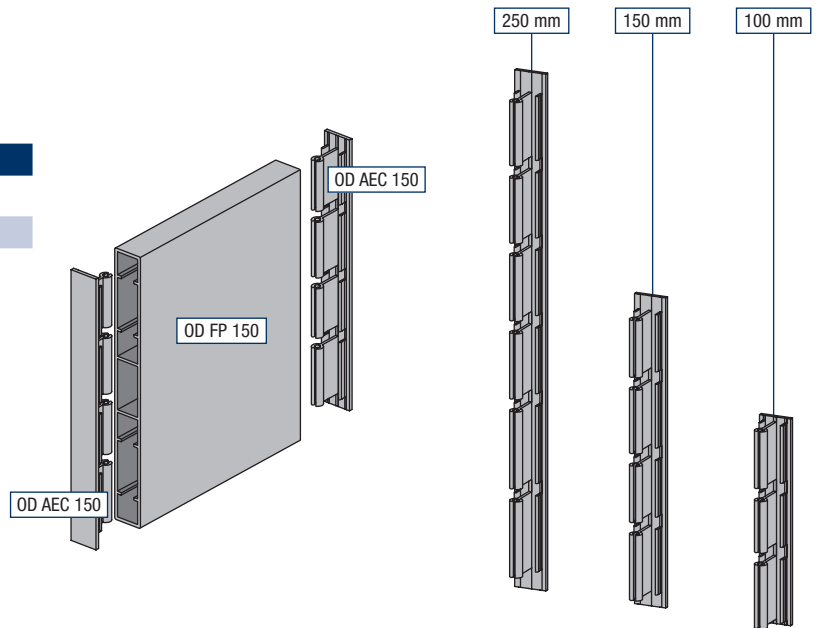




OVERVIEW ACCESSORIES

ALU END CAPS

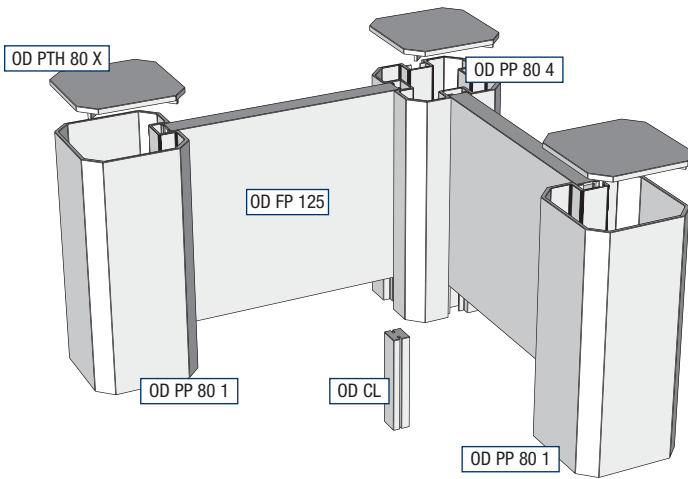
CODE	TYPE	SIZE
OD AEC 100	Alu end cap for face panel	100 mm
OD AEC 150	Alu end cap for face panel	150 mm
OD AEC 250	Alu end cap for face panel	250 mm



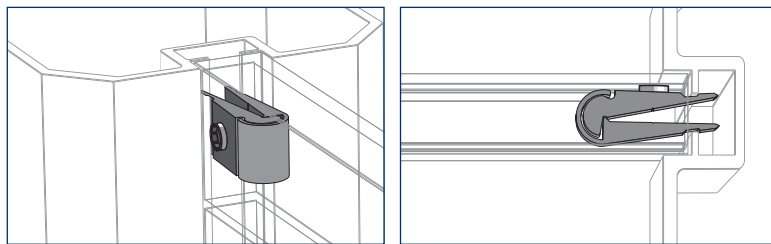
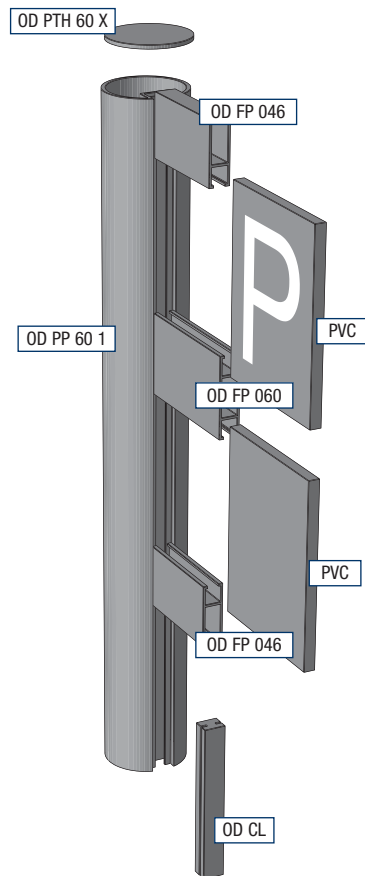
CONSTRUCTION EXAMPLES

OUTDOOR SYSTEM

SQUARE 80 X 80 MM



ROUND Ø 60 MM



Fitting of the clamp OD CL in a box profile and post, transparent view

Covers all your outdoor needs